



Thinstall™ mounts are engineered to deliver ultra low-profile installations with state-of-the-art functionality for all types of TVs. Installer-inspired features, such as post-installation Centerless™ lateral shift, height adjustment and leveling, make installation safe and easy. A full line of accessories is available with the swing arms to customize your AV configuration in any application.

Are you a Chief Certified Partner?
Register at www.chiefmfg.com/certification

www.chiefmfg.com



THINSTALL™ SERIES SWING ARM MOUNTS

Don't just install, Thinstall

Chief's Thinstall Series swing arm mounts are low-profile full-motion wall mounts for LED, LCD and plasma TVs and displays. This slim, ruggedly-constructed mount has a low 1.5" (38.1 mm) profile, is easy to install and extends up to 25" (635 mm).



SWING ARM MOUNT FEATURES

1 Full Extension

Arms extend out up to 25" (635 mm) for maximum viewing potential.

2 Ultra Low-Profile

This sleek design collapses to 1.5" (38 mm), providing a low profile for all types of TVs and displays, including LED, LCD and even plasma.

3 ControlZone™ Height Adjustment

Adjust the height of your entire configuration post-installation up to 1" (25.4 mm). This feature is engineered to give you complete fine-tuned control.

4 Centerless™ Lateral Shift

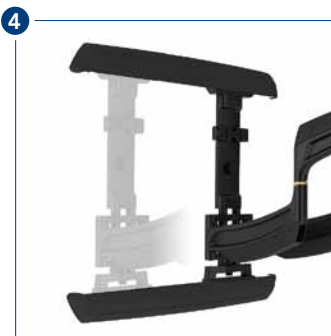
Get up to 16" (406.4 mm) of post-installation shift for limitless centering possibilities.

5 Centris™ Low-Profile Fingertip Tilt

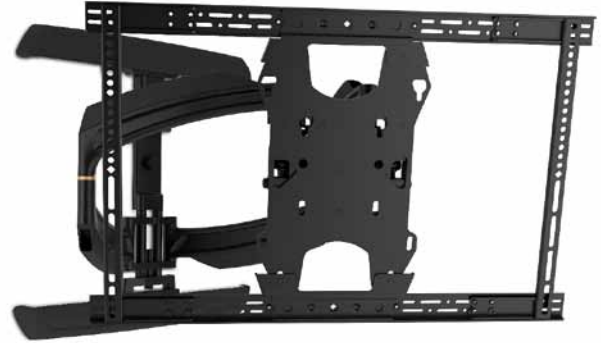
Provides up to 15° of effortless fingertip tilt to achieve the ultimate viewing angle.

6 Integrated Cable Management

Enclosed, tool-less cable covers and a wide open wall plate make it easy to route power and signal cables, and connect to the wall for a seamless installation.



THINSTALL SWING ARM MOUNTS



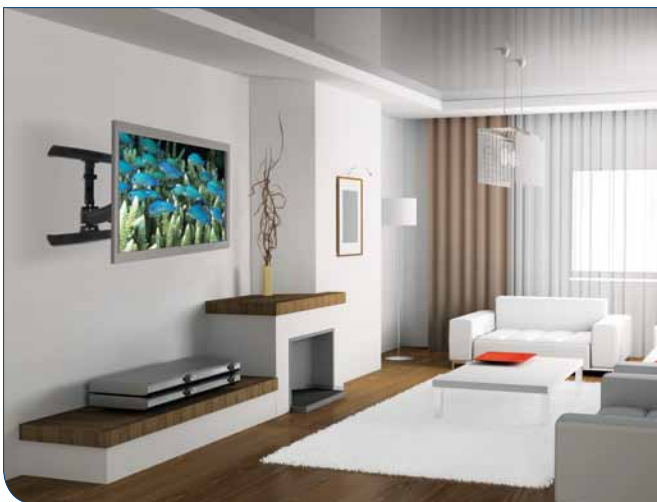
Shown with universal interface bracket

SPECIFICATIONS

Model	TV Size Range	Extension	Centerless Lateral Shift	Centris Low-Profile Tilt	Max Mounting Pattern (H,W)	Weight Capacity
TS525TU	37 - 58"	25" (635 mm)	16" (406 mm)	-15°	15.75" (400 mm), 31.5" (800 mm)	125 lbs (56.7 kg)
TS325TU*	26 - 52"	25" (635 mm)	16" (406 mm)	-15°	15.75" (400 mm), 23.62" (600 mm)	75 lbs (34 kg)
TS318TU*	26 - 52"	18" (457 mm)	16" (406 mm)	-15°	15.75" (400 mm), 23.62" (600 mm)	75 lbs (34 kg)
TS318SU*	26 - 52"	18" (457 mm)	0 (single stud)	-15°	15.75" (400 mm), 23.62" (600 mm)	75 lbs (34 kg)

* Available 2011

HOME THEATER APPLICATION



DIGITAL SIGNAGE APPLICATION





THINSTALL™ SERIES

FIXED & TILT MOUNTS FOR ULTRA-THIN TVs



LTTU™



MTTU™



LSTU™



MSTU™

SPECIFICATIONS

Model	TV Size Range	Depth from Wall	Hole Pattern	Max Screen Thickness	Tilt	Weight Capacity
LTTU*	37 - 63"	0.75" (19 mm)	200 x 200 mm to 800 x 500 mm	2.0" (50.8 mm)	12°	100 lbs (45.4 kg)
MTTU*	26 - 47"	0.75" (19 mm)	100 x 100 mm to 600 x 400 mm	2.0" (50.8 mm)	12°	100 lbs (45.4 kg)
LSTU	37 - 63"	0.39" (10 mm)	200 x 200 mm to 800 x 500 mm	5.0" (127 mm)	—	125 lbs (56.7 kg)
MSTU	26 - 47"	0.39" (10 mm)	100 x 100 mm to 600 x 400 mm	5.0" (127 mm)	—	125 lbs (56.7 kg)

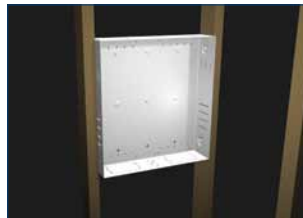
*Can only be used TVs or displays 2" (50.8 mm) deep or less.

RECOMMENDED ACCESSORIES

Chief's in-wall accessories simplify installation and maximize the ultra-low profile of Thinstall mounts. Available in regular and powered models, these accessories provide the needed space for electrical connections and components. *Cables and Power Filter Kit not included with PAC520



PAC511™
Retrofit Box



PAC516™
New Construction Box



PAC521P™
In-Wall Box with Power Outlet Conditioner



PAC522™*
Multiple Option New Construction Box (shown with Power Filter Kit, PACPC1™)

CHIEF

■ A DIVISION OF MILESTONE AV TECHNOLOGIES ■ www.chiefmfg.com

USA ■ P 800.582.6480 / +1.952.894.6280 ■ F 877.894.6918 / +1.952.894.6918 ■ chief@chiefmfg.com

Canada ■ P 877.345.4329 ■ F 888.377.5314 ■ info@chiefmounts.ca

EMEA ■ P +31 40 23 24 700 ■ F +31 40 23 24 710 ■ europe.chief@milestone.com

Asia Pacific ■ P +852 2145 4099 ■ F +852 2145 4477 ■ asia.chief@milestone.com



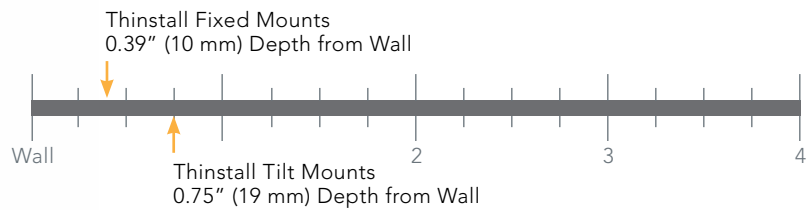
THINSTALL™ SERIES

FIXED & TILT MOUNTS FOR ULTRA-THIN TVS



FIXED & TILT MOUNT FEATURES

Chief's Thinstall Series fixed and tilt wall mounts are designed to complement the low profile of new ultra-thin flat panel TVs and displays. The fixed mount collapses to 0.39" (10 mm), and the tilt mount collapses to 0.75" (19 mm) while offering 12° of fingertip tilt.



1 **Glide Lock™ Latching System**

Tool-less latching for faster installation
Patent-Pending

2 **Velcro® Straps**

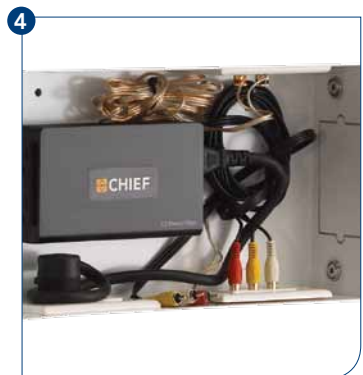
Retract the cable kickstand by simply pulling the straps

3 **Easy Cable Access**

Unique cable kickstand allows easy cable access when needed

4 **In-Wall Box**

Optional storage box for a clean installation



THINSTALL SWING ARM ACCESSORIES

The following accessories allow you to customize any Thinstall swing arm installation.



TA100 Component Shelf

- Compatible with large and medium Thinstall swing arms
- Shelf sits above or below TV to hold any AV component
- Height adjustable to accommodate different component and TV sizes
- Adds 0.25" (6 mm) of depth to installation



TA200 / TA250 Camera Shelves

- 8" or 12" (203 mm or 305 mm) wide shelf
- Compatible with large and medium Thinstall swing arms
- Shelf sits above or below TV
- Height adjustable to accommodate different camera and TV sizes
- Adds 0.25" (6 mm) of depth to installation



TA300 Left / Right Speaker Adapter

- Compatible with large and medium Thinstall swing arms
- Infinitely adjustable to fit speakers flush with side of TV
- Adds 0.13" (3 mm) of depth to installation



TA350 Center Channel Speaker Adapter

- Compatible with large and medium Thinstall swing arms
- Infinitely adjustable to fit speaker flush with bottom of TV
- Adds 0.25" (6 mm) of depth to installation